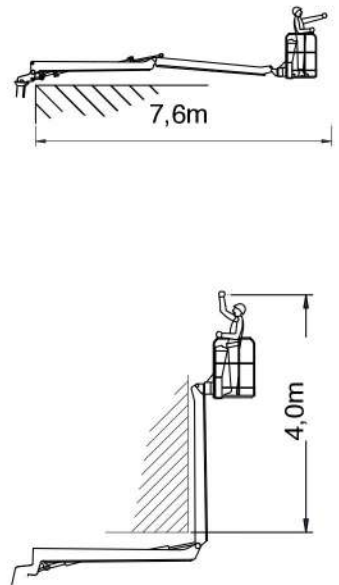
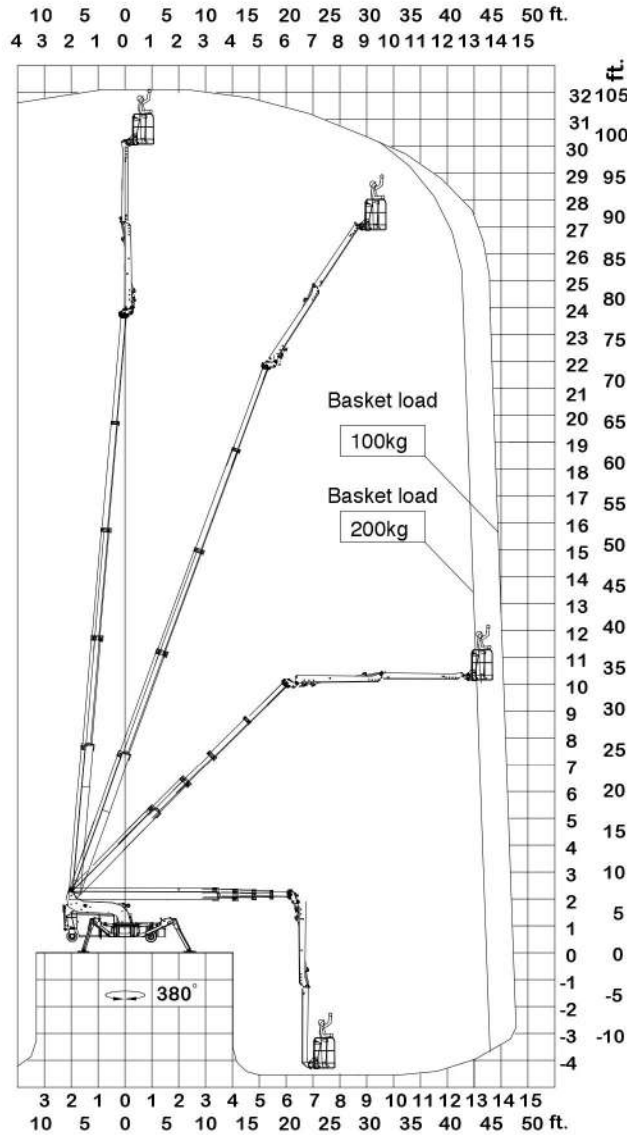
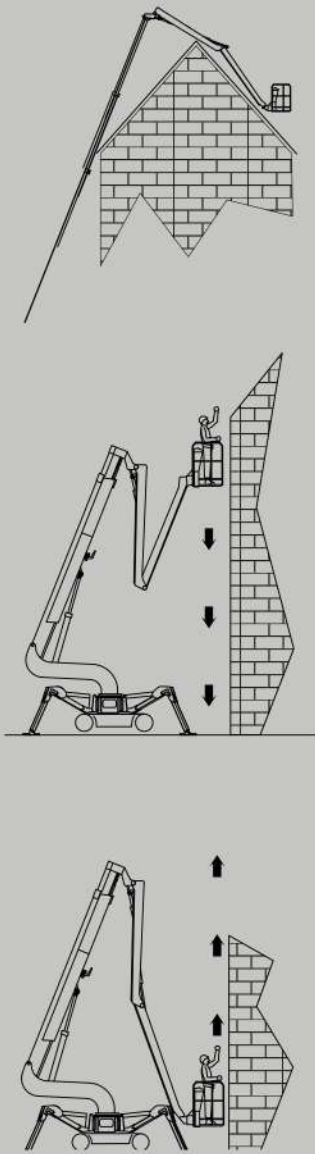


FALCON FS320

Reach diagram — Optimized position

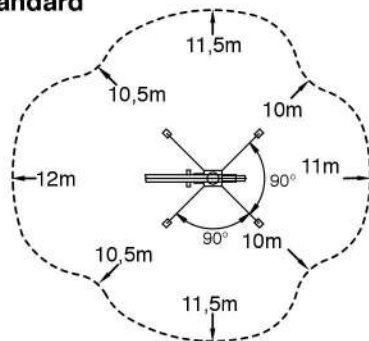


Reach with outriggers in different positions

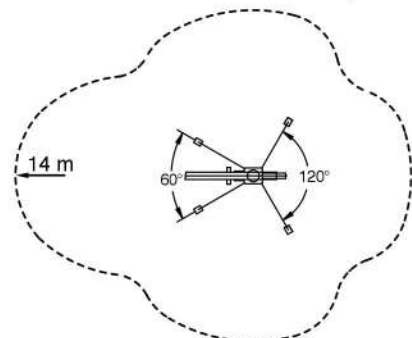
Standard

Measurements in meters

Optimized



Basket load = 200kg



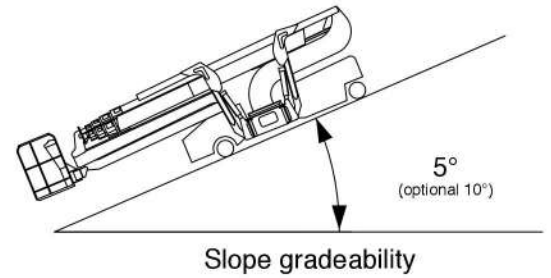
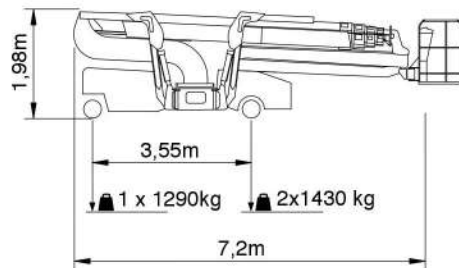
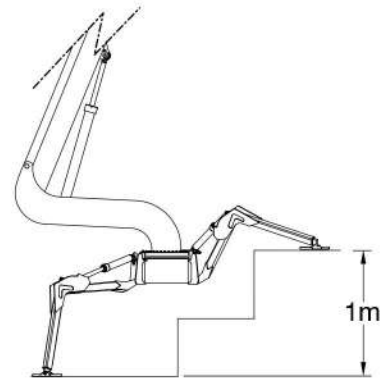
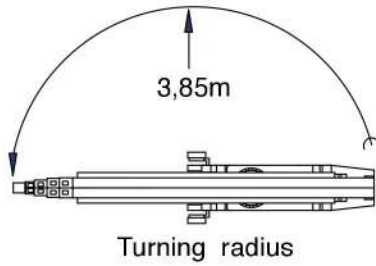
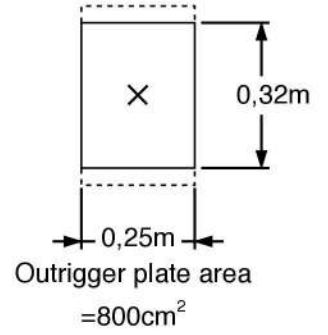
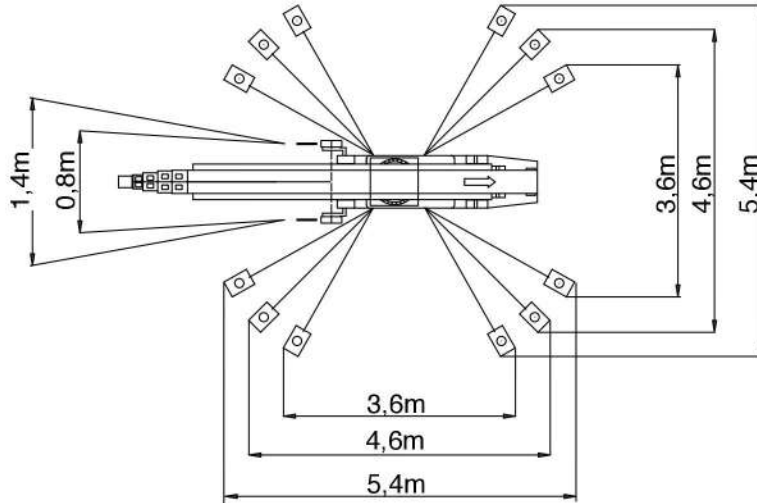
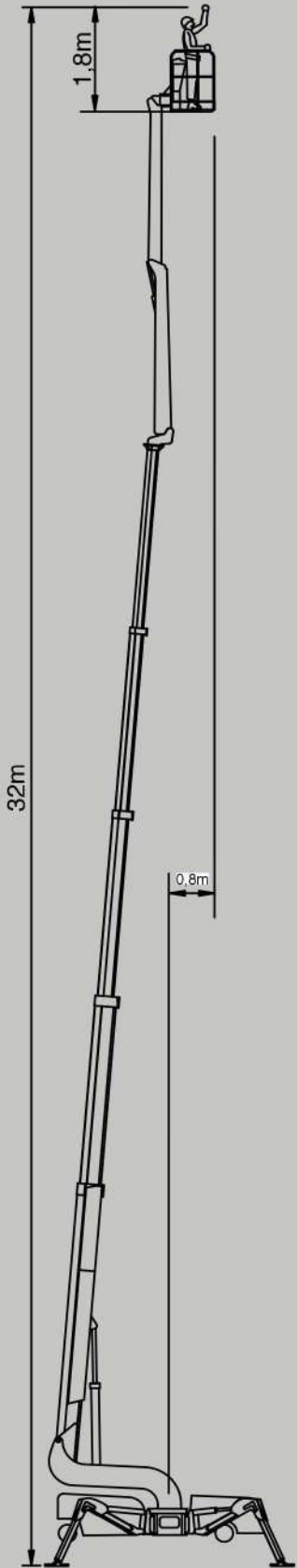
Basket load = 100kg

TCA LIFT A/S

Tolderlundsvej 106
DK • 5000 Odense C
Tel.: +45 66 13 11 00

www.tcalift.com

All measurements are intended as guide. Choice of equipment may change the mentioned measurements



Additional info:

Weight and ground pressure:

Weight with standard equipment	4150 kg
Max. ground pressure under 1 wheel	8,0 kg/cm ²
Max. ground pressure under 1 outrigger plate	2,9 kg/cm ²
Front wheel area (depending on wheel type)	1 x 170 cm ²
Rear wheel area (depending on wheel type)	2 x 179 cm ²