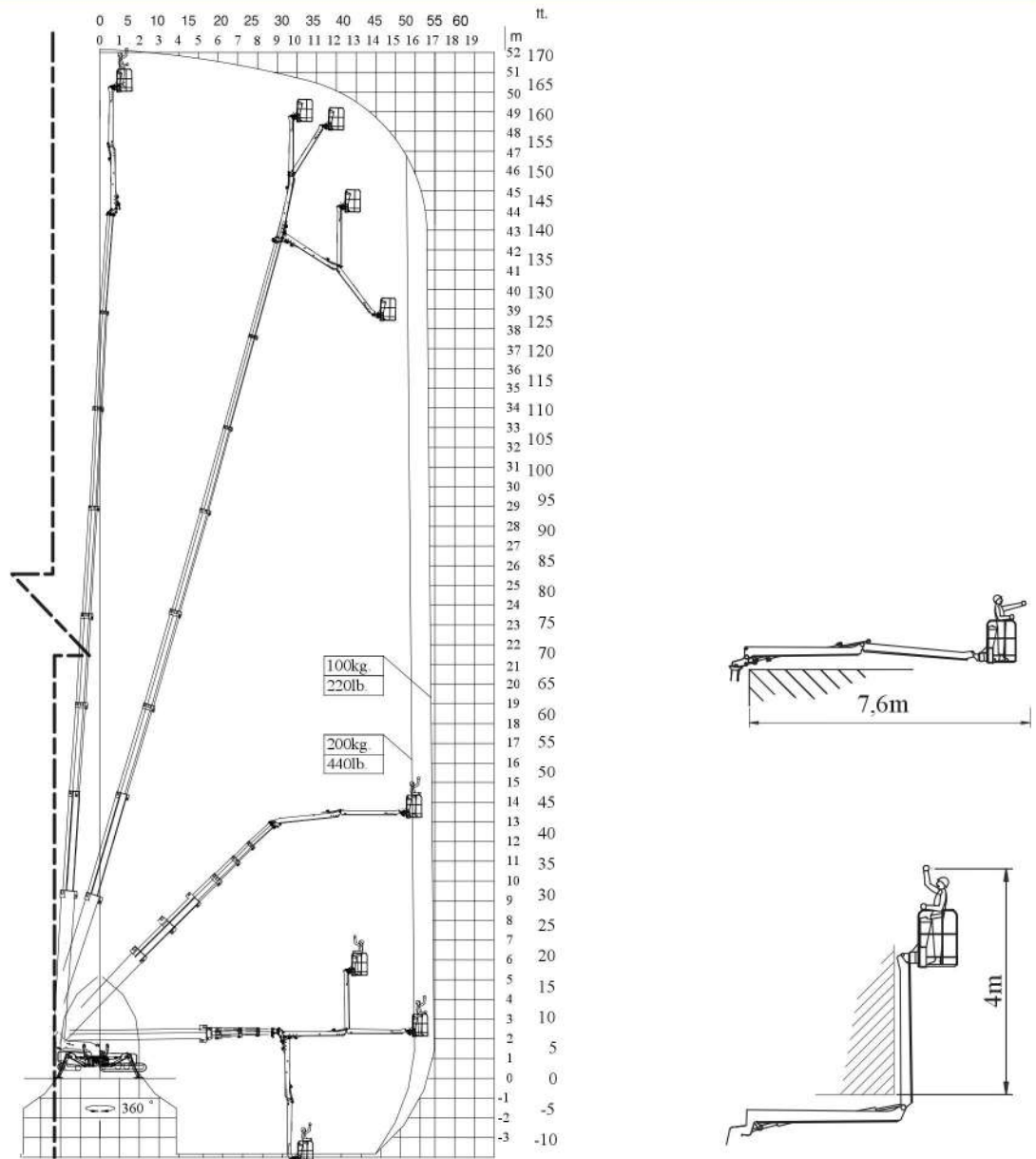


FALCON FS520C

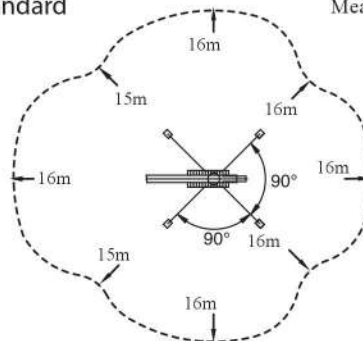
Reach diagram — Optimised position



Reach with outriggers in different positions

Standard

Measurements in meters



Basket load = 200kg

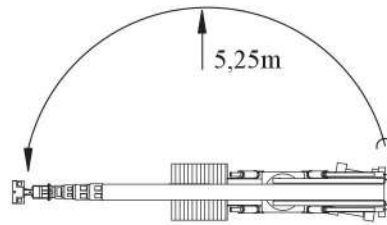
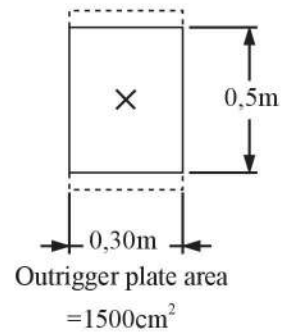
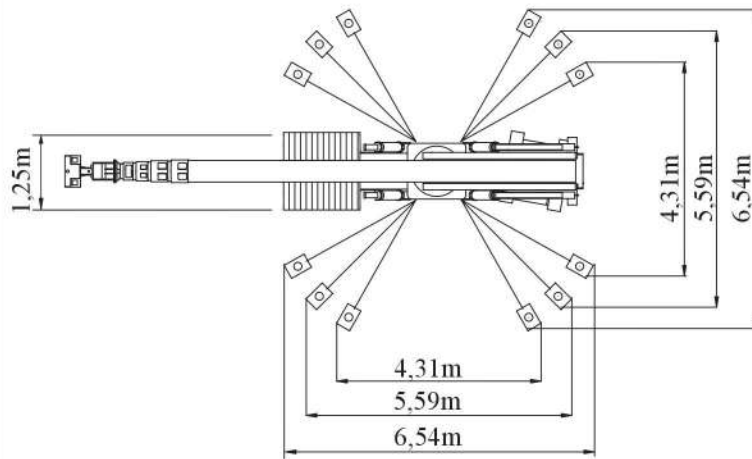
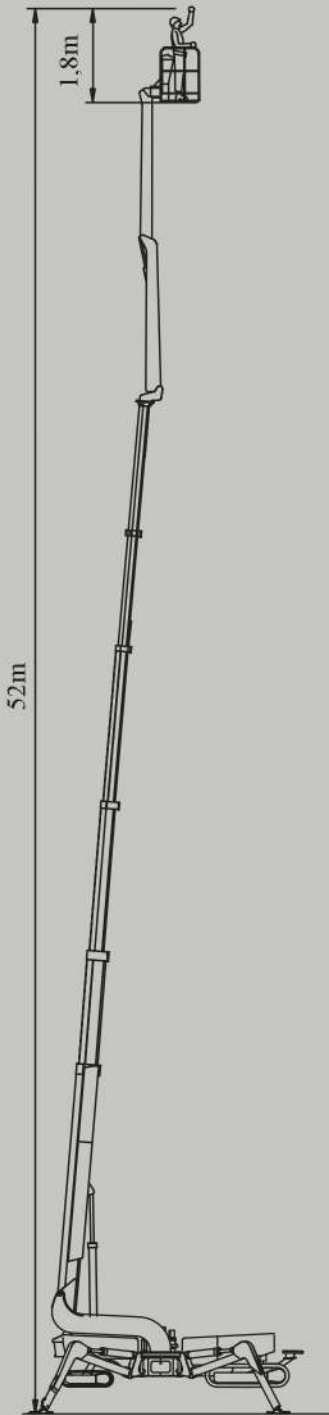
All measurements are intended as guide. Choice of equipment may change the mentioned measurements

TCA LIFT A/S

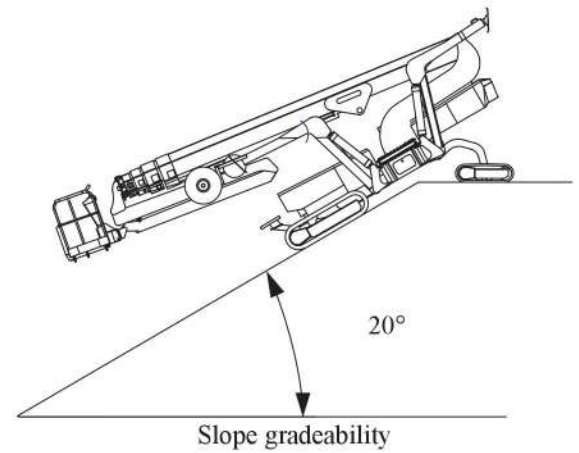
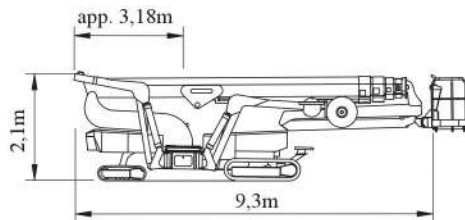
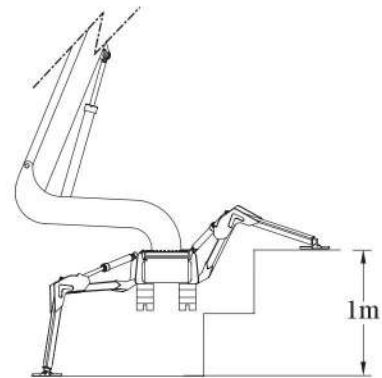
Tolderlundsvej 106
DK • 5000 Odense C
Tel.: +45 66 13 11 00

www.tcalift.com

TCA LIFT
Tall Compact Aerial



Turning radius



Additional info:

Weight and ground pressure:

Weight with standard equipment	13500 kg
Surface pressure under crawlers (soft surface)	0,85 kg/cm ²
Surface pressure under crawlers (hard surface)	1,20 kg/cm ²
Max. ground pressure under 1 outrigger plate	3,60 kg/cm ²